



**INNOVATION WORKING FOR YOU**

**AOSCC24SP  
Aera Seeder  
OPERATOR & PARTS MANUAL**



REIST Industries Inc.  
100 Union Street  
Elmira, Ontario, Canada  
N3B 3L7

Phone: 519-669-1501  
Fax: 519-669-3021  
Toll Free: 1-877-467-3478  
[www.reistindustries.com](http://www.reistindustries.com)

Effective Serial Number W3529



Contents	
INTRODUCTION.....	4
PRODUCT SPECIFICATIONS.....	5
GENERAL SAFETY .....	5
CONTROLS .....	7
OPERATION.....	8
CALIBRATION .....	8
CALIBRATION .....	9
ADJUSTMENTS.....	9
ADJUSTMENTS.....	10
MAINTENANCE .....	10
STORAGE.....	11
HANDLE & CONTROL BRACKET ASSEMBLY.....	12
TRANSMISSION & CONTROL PARTS .....	13
MOTOR ASSEMBLY PARTS.....	14
TRANSMISSION TO AGITATOR DRIVE CONNECTION.....	15
TRANSMISSION ROLLERCHAIN ASSEMBLY DETAIL.....	16
SEED GATE ASSEMBLY PARTS .....	17
LID & LATCH ASSEMBLY PARTS .....	18
AGITATOR TO SPIKED ROLL DRIVE CONNECTION.....	19
SPIKED ROLL TO SMOOTH ROLL DRIVE CONNECTION.....	20
SMOOTH ROLL & SCRAPER ASSEMBLY .....	21
CONE SCRAPER & CALIBRATION TRAY ASSEMBLY.....	22
BRUSH ASSEMBLY .....	23
PARTS – DRIVE ROLL & BROOM.....	24
WARRANTY INFORMATION.....	25

Record your product information for future reference:

Model Number: \_\_\_\_\_

Serial Number: \_\_\_\_\_

In Service Date: \_\_\_\_\_

Sold By: \_\_\_\_\_

# INTRODUCTION

## CONGRATULATIONS!!

Thank you for choosing the **Reist Self Propelled AeraSeeder**. We feel confident that this equipment will meet your expectations in workmanship, reliability and performance.

This manual is to assist you with the safe operation of the AeraSeeder.

The Reist AeraSeeder is a versatile piece of equipment to facilitate various primary and over seeding requirements. It provides simple, yet accurate initial and overseeding in those "hard to get at" places. At only 33" wide, with a seeding width of 24", this mighty little machine will quickly overseed your golf greens and it can also fit through a backyard gate. The multi-spiked roller produces approximately 800 perforations per square yard, effectively saturating the top surface with a network of holes. This network, combined with our stainless steel seed apertures, brush, and smooth packing roller system, offer you the highest percentage of grass seed germination.

For primary seeding, the spike roll breaks up clumps and packs the ground. The seed is then dropped by the seeder and the brush lightly covers the seed. The smooth roll presses the soil to keep the moisture in the ground.

For over seeding the spiked roll pokes small holes into the ground. The seed that falls onto the grass is brushed into the holes created by the spiked roller. The smooth roll presses down to cover the seed and keep the moisture in.

Replacement copies of this manual are available for downloading at:  
[www.reistindustries.com](http://www.reistindustries.com)

## Innovation Working For You

### **REIST Industries Inc.**

100 Union Street  
Elmira, Ontario, Canada  
N3B 3L7

Phone: 519-669-1501  
Fax: 519-669-3021  
Toll Free: 1-877-467-3478

The illustrations and information contained within this manual were current at the time of publication. Under our policy of continuous improvement, we reserve the right to change specifications and designs without prior notice. The illustrations do not necessarily show the standard version of product offered by REIST Industries.

## PRODUCT SPECIFICATIONS

- Multi-spiked roller delivering approximately 800 perforations per square yard
- Powered by a 5.5 horsepower Honda gasoline engine. See Honda manual (included) for operation instructions
- Eaton hydrostatic transmission
- Power is delivered via a series of sprockets, shaft and chains
- Less than 33" standard overall width x 60" length x 37" height
- Seeding width of 24"
- 1.25 bushels seed bin capacity
- Seed calibration tray
- Standard rear smooth packing roller or optional additional rear spiked roller (increases perforations to approximately 1700 per square yard)
- Cam-adjusted seed gate
- User-friendly controls
- Seed calibration tray
- Optional - Gauge wheel kit, with quick release wheels
  - 2" wide x 8" diameter solid rubber wheels (Overall width increases to 37")
  - 4" wide x 8" diameter solid rubber wheels (Overall width increases to 41")
- Optional - Weight bracket for up to 6 @ 45lb weights

## GENERAL SAFETY

Careful operation is the best assurance against accidents. It is the owner's responsibility to make sure that all operators read and understand this manual and follow the recommendations, cautions and warnings before operating the equipment. Familiarize yourself with all controls and know how to quickly stop the equipment and all rotating parts in the case of an emergency.

Never let an untrained person or a child operate equipment.



### **WARNING!**

#### **DO NOT MODIFY THE REIST EQUIPMENT**

Modifications may weaken the integrity of the equipment and may impair the operation, safety, and performance of the product. When making repairs, only qualified technicians using the manufacturer's genuine parts, following authorized instructions, shall attempt the repair. Never remove guarding or other safety device. Any modifications must be sanctioned in writing by an authorized representative of the manufacturer.



## **WARNING!**

### **MAINTAIN AND REPAIR EQUIPMENT SAFELY**

- Do not wear loose clothing, or any accessories that can catch in moving parts
- If you have long hair, cover or secure it so that it does not become entangled in the equipment
- Work on a level surface in a well-lit area.
- Always secure and support it to prevent unintentional movement
- Use the correct tool for the job at hand. Make sure they are in good condition for the task required
- Wear the protective equipment specified by the tool manufacturer
- Use care when working on hydraulic systems and understand how to check for and release trapped hydraulic pressure



## **WARNING!**

### **READ OPERATOR'S MANUAL BEFORE OPERATING**

Do not operate equipment until you are completely trained by a qualified operator in how to use the controls, understand the machine's capabilities, dimensions, and all safety requirements. Refer to your operator's manual for these instructions.

- Do not operate an engine in confined or non-ventilated area
- Do not perform adjustments or repairs with the engine running
- Do not operate on excessive inclines or side slopes– be careful when turning on slopes as a rollover condition may exist
- Keep bystanders away from the machine when in operation
- Be aware of pedestrians
- Know how to quickly stop the equipment in the case of an emergency

# CONTROLS

1. Opens and closes grass seed flow
2. Starts, stops, and reverses Aera Seeder. This is variable speed which means the more the lever gets squeezed the faster the Aera Seeder moves.
3. Kill switch lever must be held to start engine.
4. Manual holder tube. Keep manual here for quick reference.
5. Hydraulic oil for Transmission. Check oil level daily.
6. Honda GX360 engine on/off switch. For more information see engine manual.
7. Turn cam to adjust amount of seed required. The higher the number, the more seed is applied.
8. Controls depth of brush. As bristles wear hairpin is moved to a higher hole.

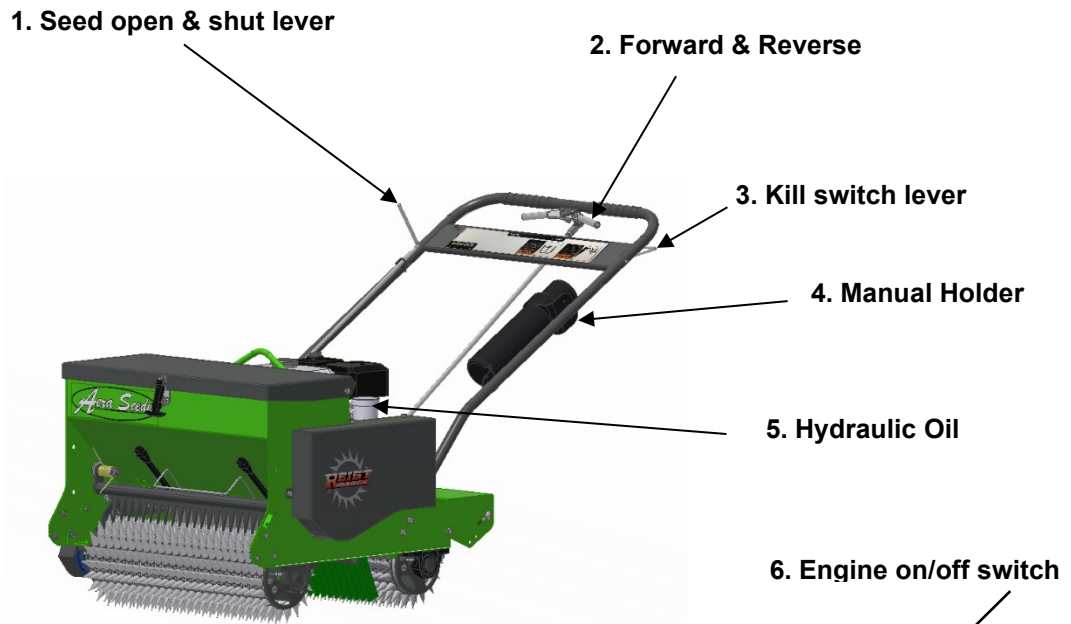


Fig. 1

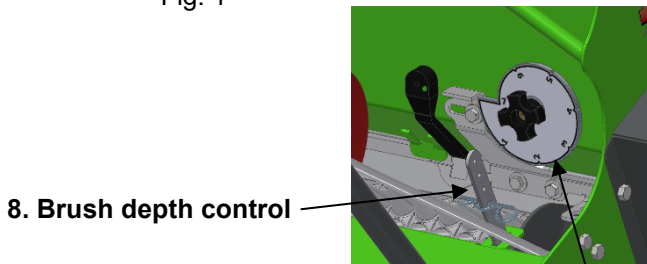


Fig. 2

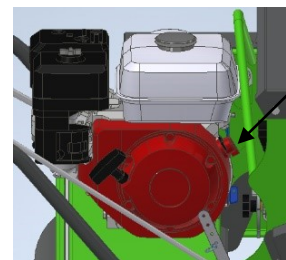


Fig. 3

7. Seed rate control

## OPERATION

1. Before starting check oil in transmission and engine.
2. Check gas
3. Close seed flow lever.
4. Pour grass seed into bin. Make sure it is clean seed with no dirt lumps or foreign objects.
5. To start engine, the engine switch must be in ON position.
6. Kill switch lever needs to be held to start engine.
7. When starting cold engine, put on choke and pull cord until engine fires.
8. Turn off choke.
9. When engine is warm choke is normally not necessary.
10. To move, squeeze Forward and Reverse lever. The more it is squeezed the faster the Aera Seeder will travel.
11. To start seeding, squeeze the Forward lever, and open the seed flow lever.
12. Turning a sharp corner can be done by either lifting or pushing down on the handle.
13. If seeding soft turf or depth needs to be controlled see section on "Adjustments".

## CALIBRATION

It is easy to calibrate the seed rate and can be done in a reasonably short amount of time. All you need is a measuring tape, weigh scale, and container. Then follow the steps below.

1. Measure a distance of **166 ft**
2. Pour several pounds of seed into seed box
3. Insert calibration tray on mounting hooks below seed outlet at the bottom of the seeder.
4. Set Seed Rate Indicator to the approximate seed rate according to chart on next page.
5. Open seed slider and start AeraSeeder travelling at the same speed as you will be when you are seeding (approx 3 MPH/5km). Close seed slide when you pass the end mark then turn around and come back to the starting point. (If the tray is filled before getting to the end mark, stop and empty calibration tray into a container then continue. Depending on the seed rate you might have to empty the tray a couple of times.)
6. Weigh the collected seed and multiply the total by 3. The product is the pounds per thousand square feet.

Example: if 2.5 pounds collected in tray  
 $3 \times 2.5 = 7.5 \text{ lbs}/1000 \text{ ft}^2$



# CALIBRATION

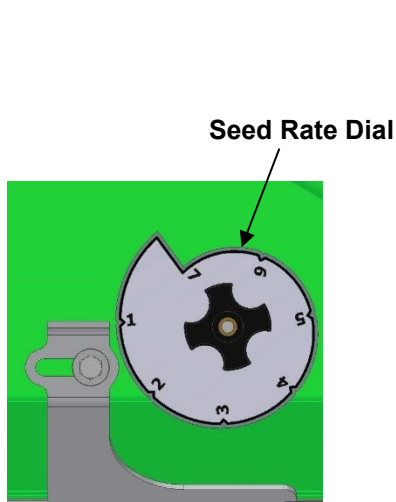


Fig. 4

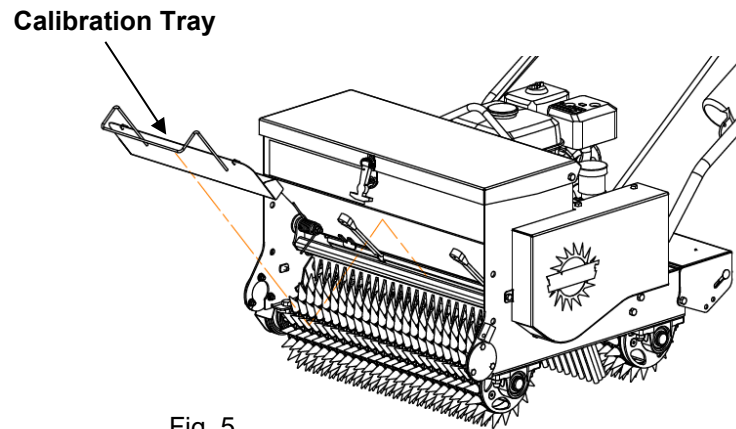


Fig. 5

# ADJUSTMENTS

## 1. Tightening Drive Chains

There are three drive chains on the AOSCS24SP that need to be checked periodically. Two are tightened with idle sprockets **Fig. 6 & 7**. The chain that drives the rear roller is tightened by loosening the roller bearing. Then with a pry bar as seen in **Fig. 6** pry the bearing back until there is no slack in chain.

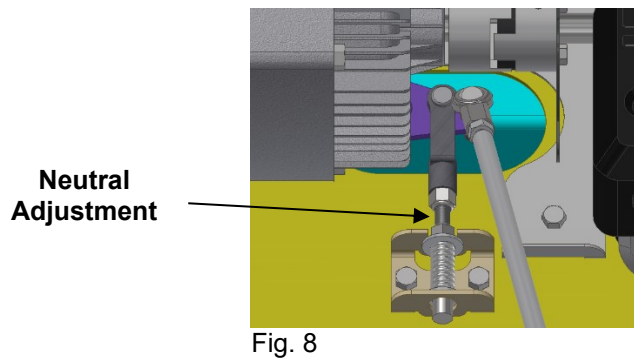
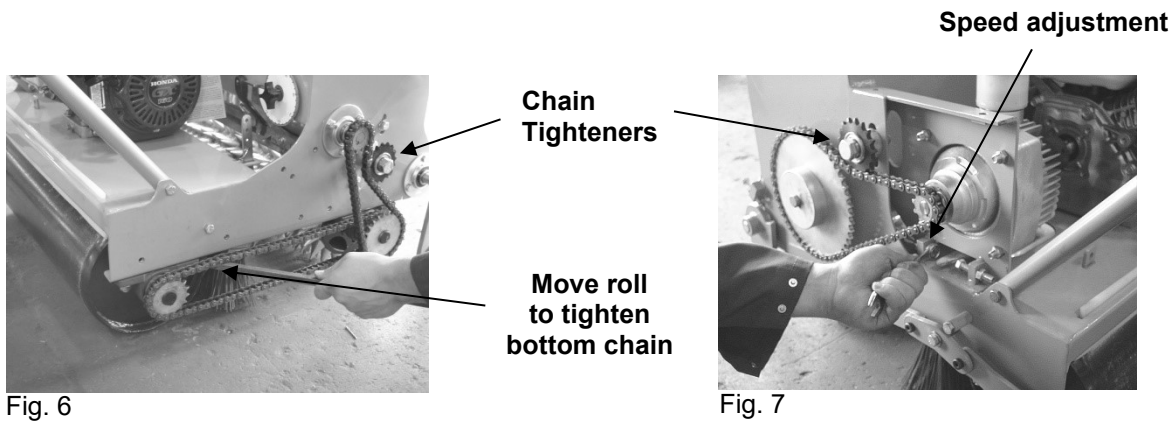
## 2. Speed Adjustment

The forward and reverse speed is adjusted by two bolts. The front bolt **Fig. 7** adjusts the reverse speed and the rear bolt towards the handle adjusts the forward speed. Turning clockwise increases speed and counter clockwise decreases speed.

## 3. Neutral Adjustment

If the Aera Seeder creeps when forward & reverse lever is released, adjustment needs to be made. The nuts compressing the springs in **fig.8** need to be tightened or loosened. However much one nut is tightened the other nut should be loosened.

## ADJUSTMENTS



## MAINTENANCE

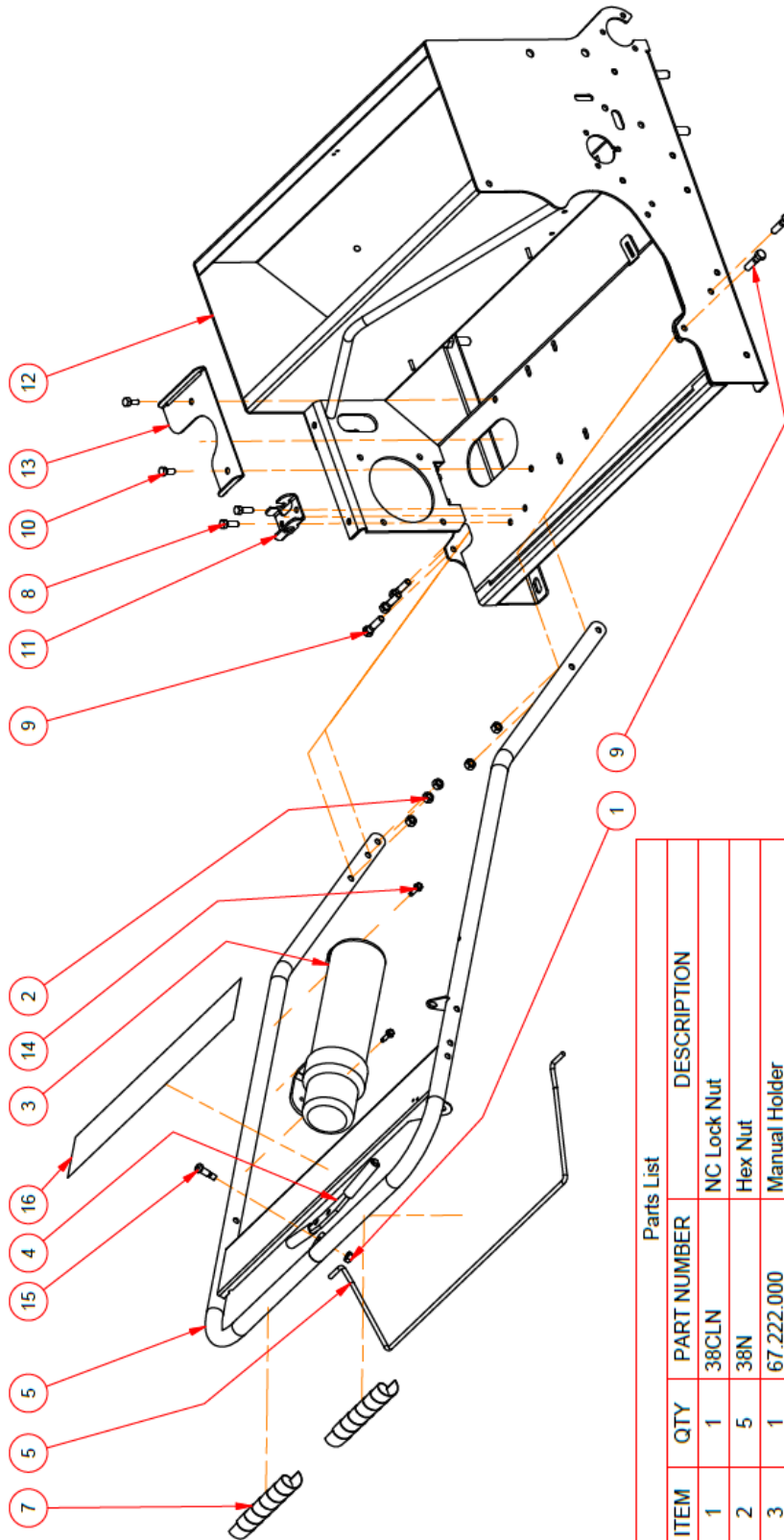
Refer to the General Safety Precautions, in previous pages of this manual before performing any maintenance.

1. At the beginning of each season, ensure that all fasteners are properly torqued, all safety guards are in place and that operator's manual is reviewed and understood
2. Daily, check that oil is at level mark on transmission reservoir (approx. 1/8" from bottom). Check when cool. When hot the level in reservoir will rise.
3. Daily, check engine oil.
4. Keep roller chains snug. Adjustment instructions are on preceding page.

## STORAGE

1. Clean out seed bin.
2. Clean before putting into storage. May be washed with pressure washer.
3. Touch-up paint as needed.
4. Oil seeder chains.
5. Store in dry, ventilated area.

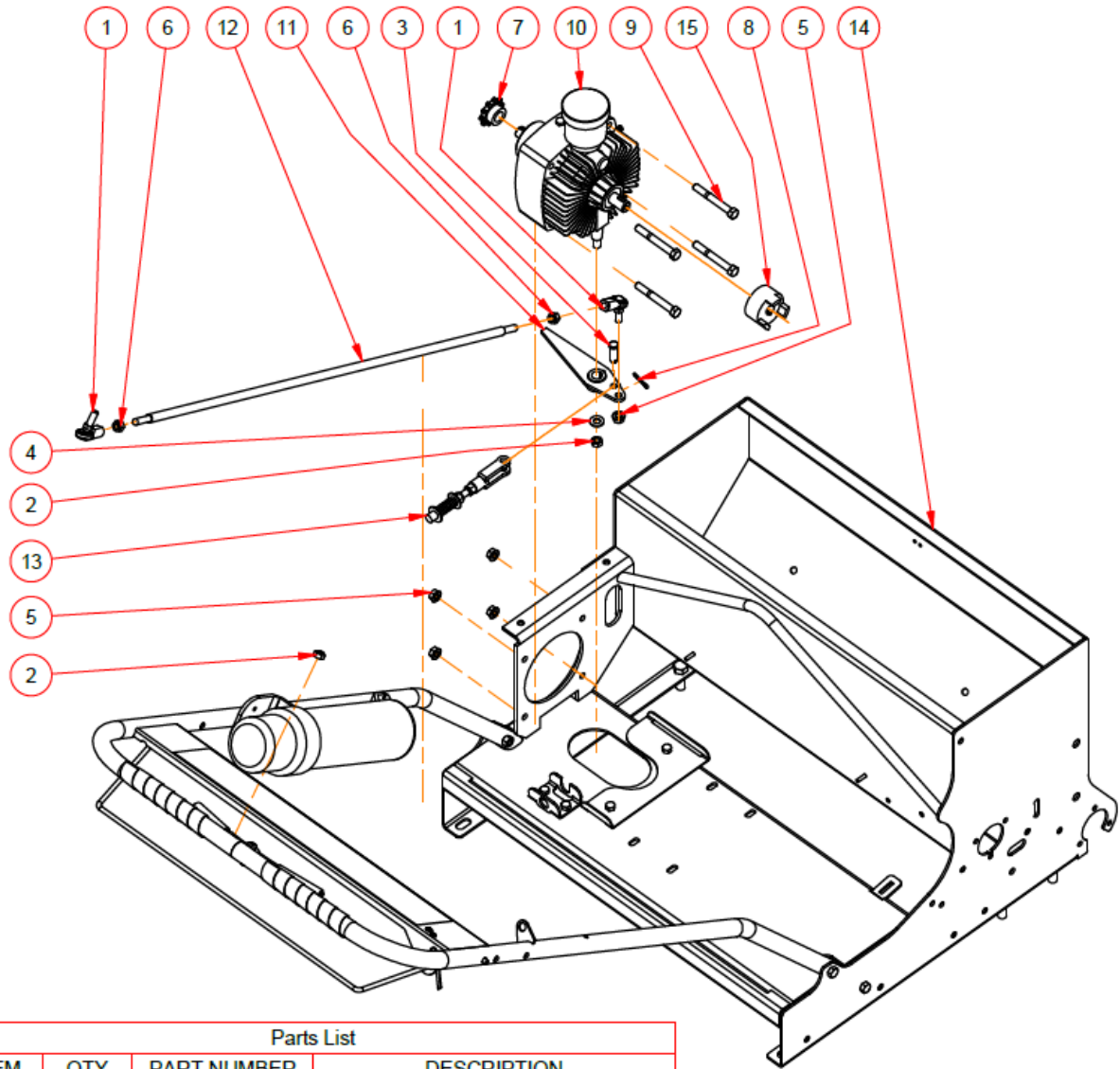
# HANDLE & CONTROL BRACKET ASSEMBLY



Parts List

ITEM	QTY	PART NUMBER	DESCRIPTION
1	1	38CLN	NC Lock Nut
2	5	38N	Hex Nut
3	1	67.222.000	Manual Holder
4	1	5111	Finger Lever
5	1	5126	Kill Lever
6	1	5133	Handle Weldment Round
7	2	26388632985	Over Grip
8	2	5161	Hex Bolt
9	5	38112	Hex Bolt
10	2	51634	Hex Bolt
11	1	118090	Spring Mount
12	1	118648	Hopper Weldment Spring Mount
13	1	118806	Shield Lock
14	2	2167121	Self Drilling 14x1 Metal Screw
15	1	HX-3811SB	Hex Head Shoulder Bolt
16	1	WD106	AOS24SP Control Panel Decal

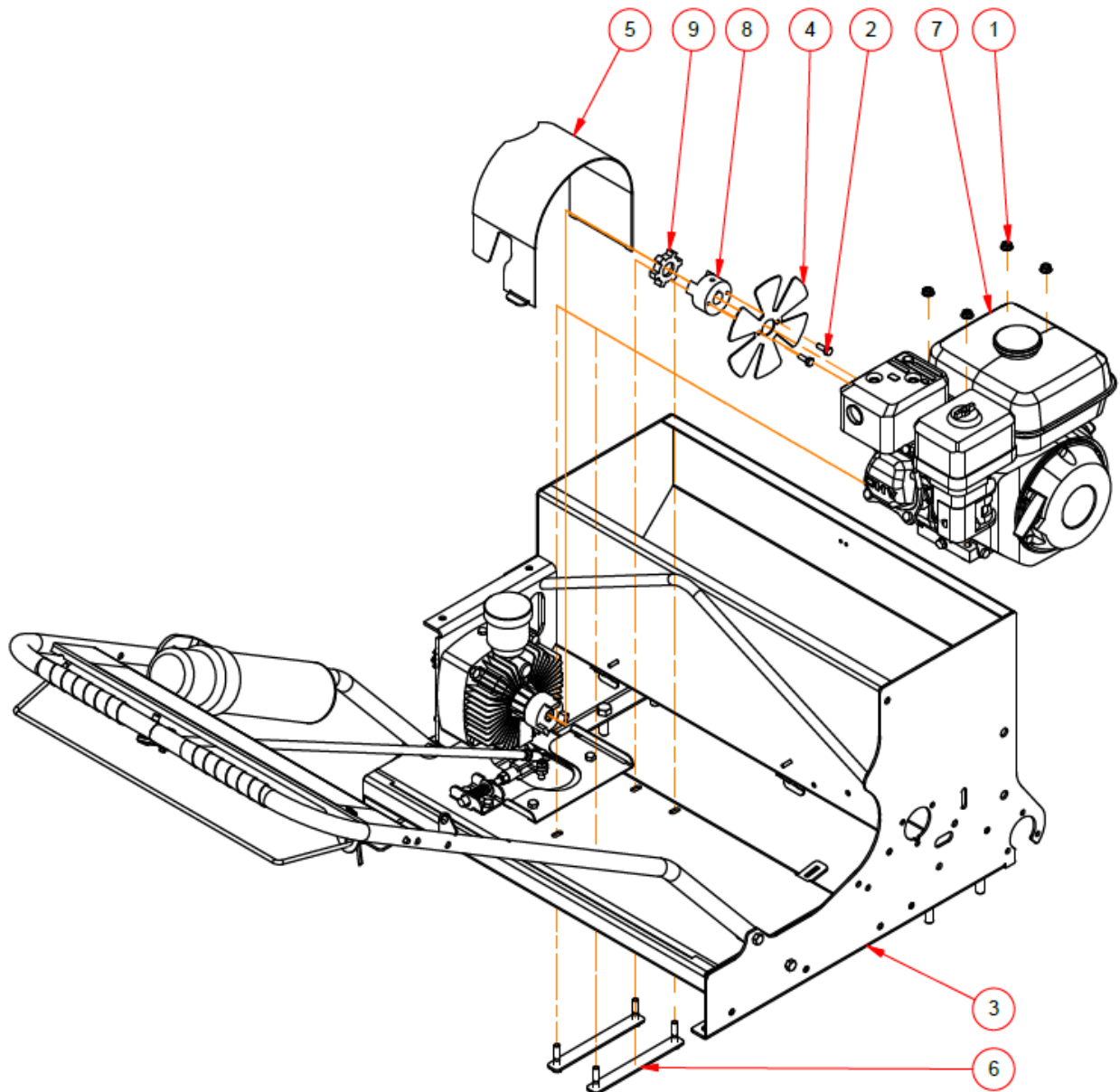
# TRANSMISSION & CONTROL PARTS



Parts List			
ITEM	QTY	PART NUMBER	DESCRIPTION
1	2	09CW-6S 38	3/8" M-F Rod End
2	2	38CLN	NC Lock Nut
3	1	38CP	3/8x1-1/4 Pin
4	1	38FL	BP Flat Washer
5	5	38FSLN	Flange Nut
6	2	38N	Hex Nut
7	1	40B10X17MM	Sprocket
8	1	181CP	Cotter Pin
9	4	383	Hex Bolt
10	1	700-004	Hydraulic Unit
11	1	5114	Transmission Lever
12	1	118080	Drive Control Rod
13	1	118089	Neutral Position
14	1	118648	Hopper Weldment Spring Mount
15	1	L095X17MM	Lovejoy-Coupling

# MOTOR ASSEMBLY PARTS

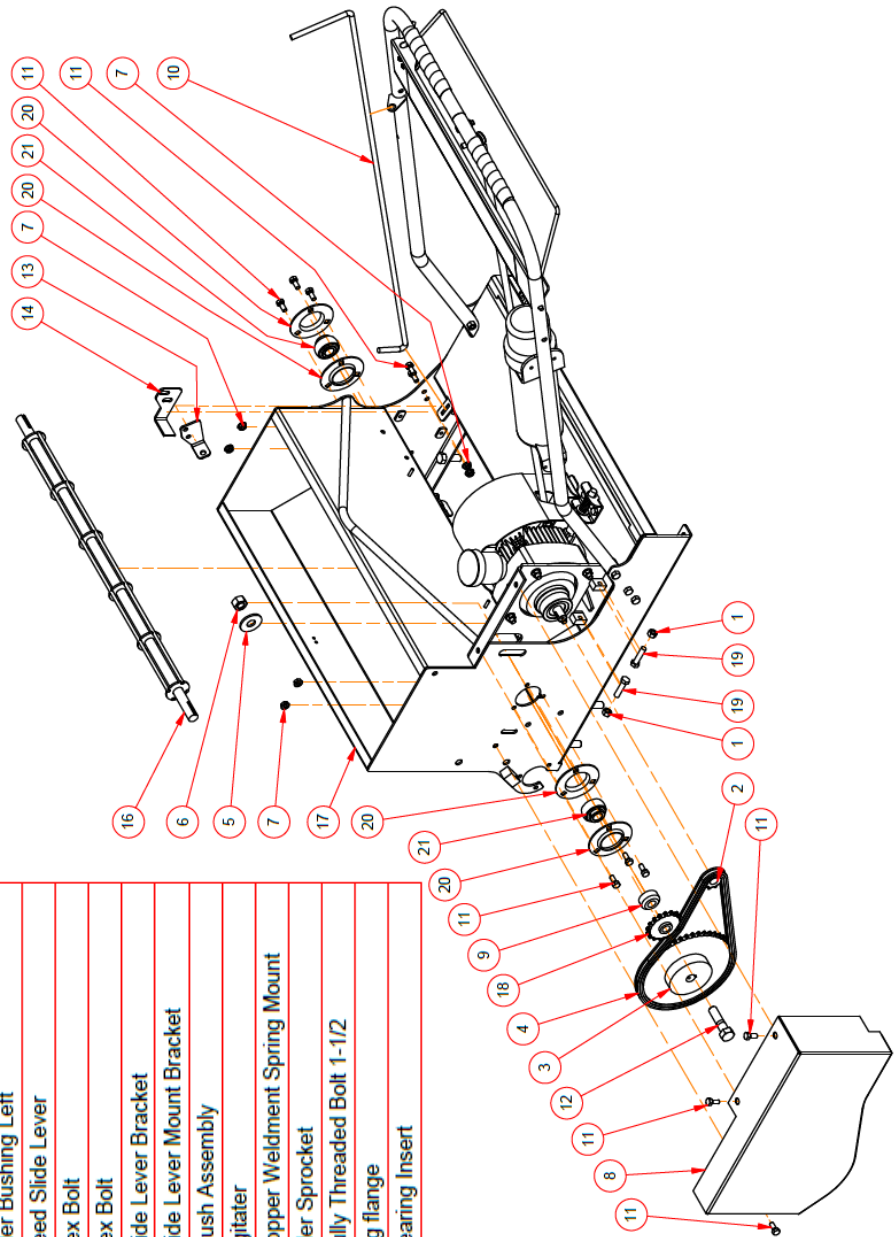
Parts List			
ITEM	QTY	PART NUMBER	DESCRIPTION
1	4	516FSLN	Flange Nut
2	2	1434	Hex Bolt
3	1	118648	Hopper Weldment Spring Mount
4	1	118781	Fan
5	1	118803	Fan Shield
6	2	119279	Honda GX160 Bolt Plate
7	1	GX160UTQH6	5.5 Honda GX160 Engine
8	1	L095-0.75-RM	Lovejoy-Coupling - Reist Modified
9	1	L095i	LoveJoy Spider



# TRANSMISSION TO AGITATOR DRIVE CONNECTION

Parts List

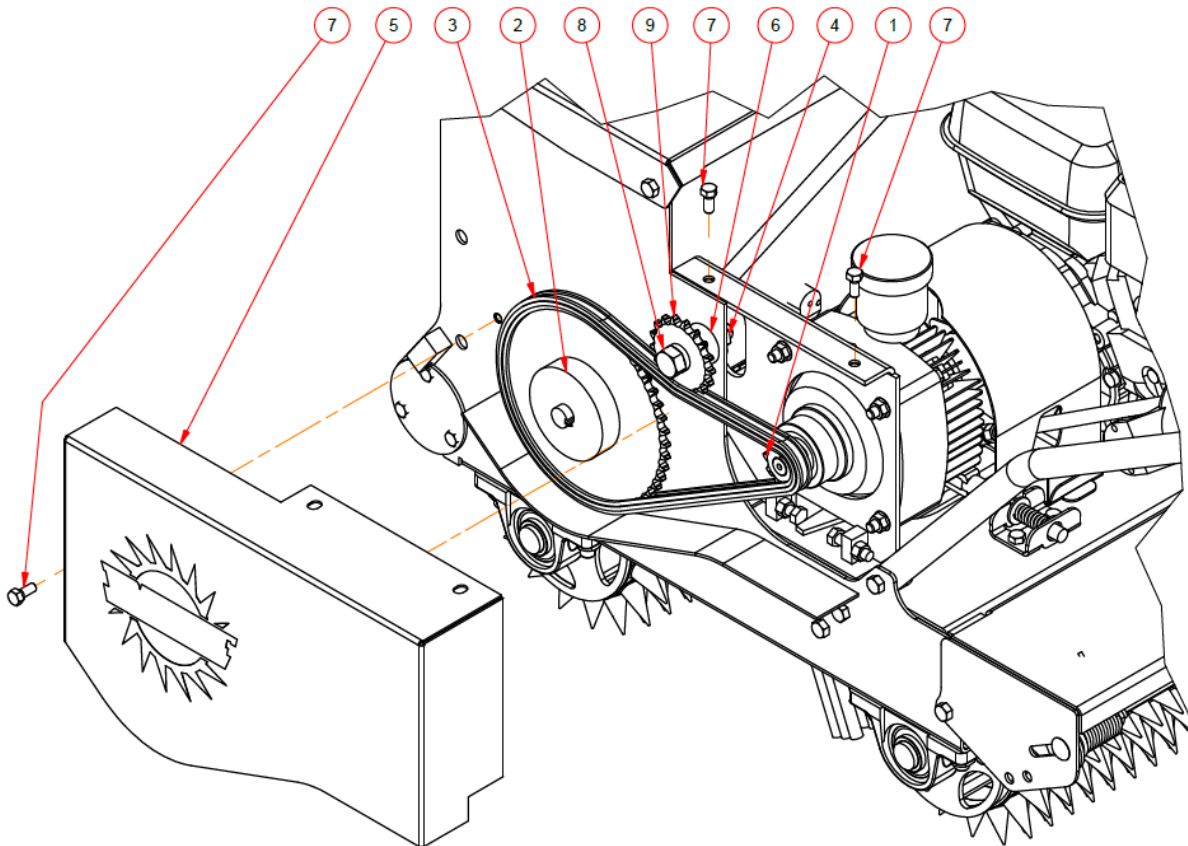
ITEM	QTY	PART NUMBER	DESCRIPTION
1	9	38N	Hex Nut
2	1	40B10X17MM	Sprocket
3	1	40B48X3/4	Sprocket
4	3	40RC	Roller Chain
5	3	58F	Flat Washer
6	1	58N	Hex Nut
7	17	516FSLN	Flange Nut
8	1	5112	Chain Shield
9	1	5115	Idle Bushing Left
10	1	5136	Seed Slide Lever
11	25	51634	Hex Bolt
12	1	58212	Hex Bolt
13	1	100567	Slide Lever Bracket
14	1	100571	Slide Lever Mount Bracket
15	1	102504	Brush Assembly
16	1	102510	Agitator
17	1	118648	Hopper Weldmnt Spring Mount
18	2	20401708	Idle Sprocket
19	2	FT-9	Fully Threaded Bolt 1-1/2
20	4	PF204	brg flange
21	2	UC204012	Bearing Insert





# TRANSMISSION ROLLERCHAIN ASSEMBLY DETAIL

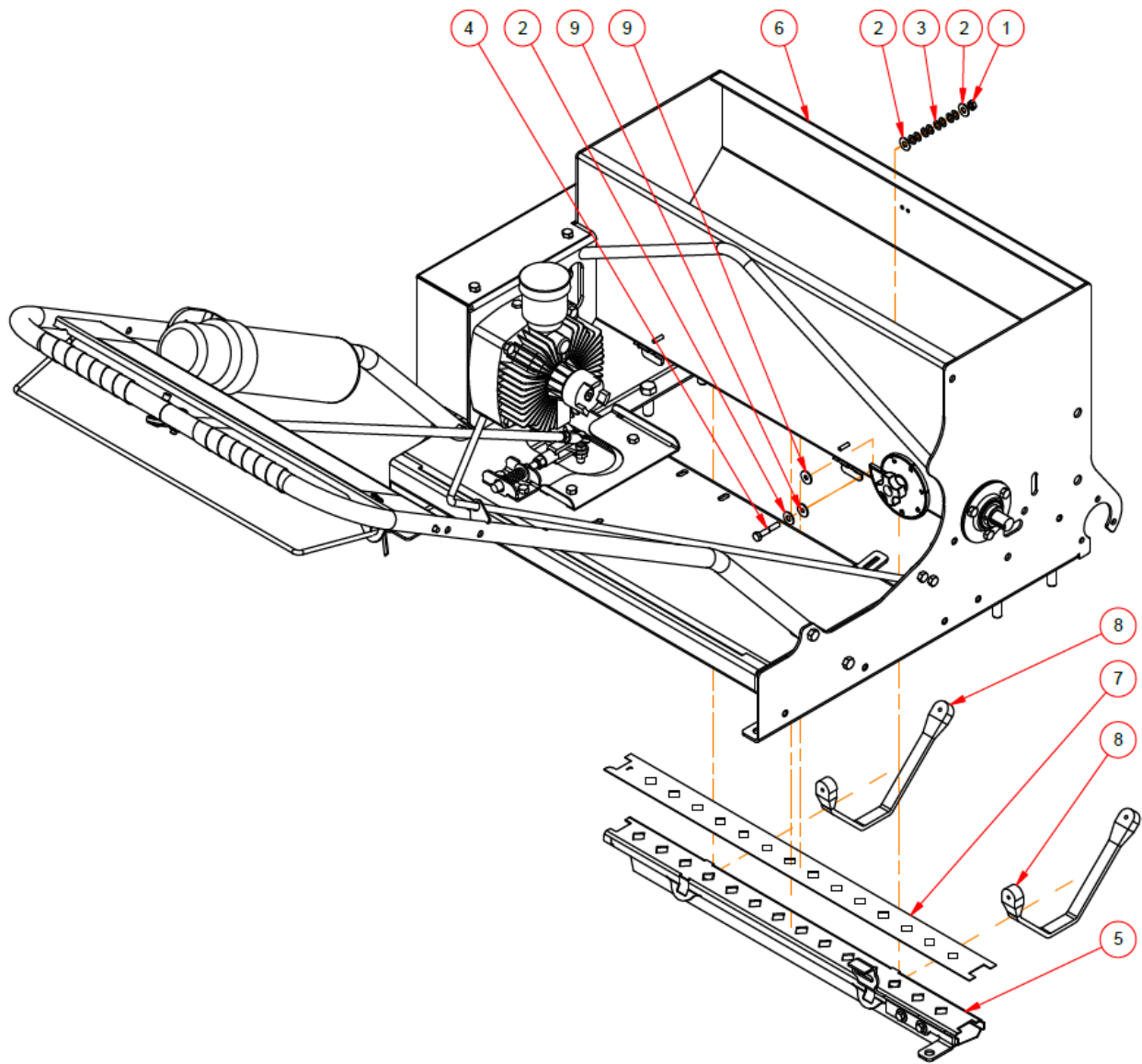
Parts List			
ITEM	QTY	PART NUMBER	DESCRIPTION
1	1	40B10X17MM	Sprocket
2	1	40B48X3/4	Sprocket
3	1	40RC	Roller Chain
4	1	58N	Hex Nut
5	1	5112	Chain Shield
6	1	5115	Idler Bushing Left
7	3	51634	Hex Bolt
8	1	58212	Hex Bolt
9	2	20401708	Idler Sprocket





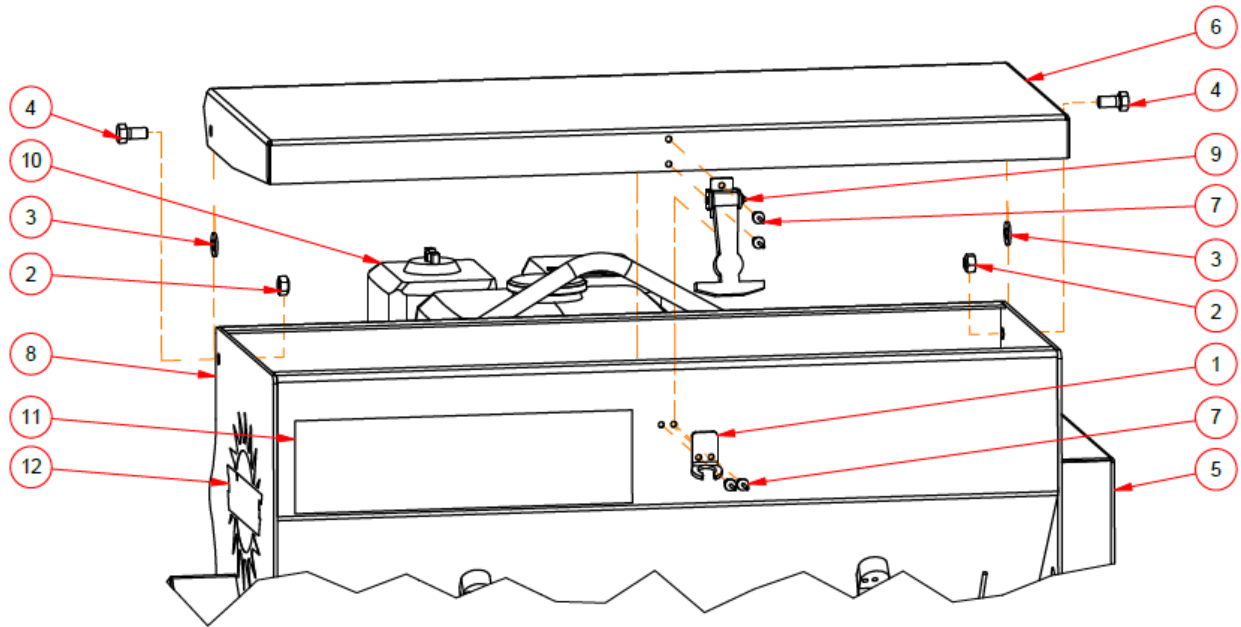
# SEED GATE ASSEMBLY PARTS

Parts List			
ITEM	QTY	PART NUMBER	DESCRIPTION
1	1	14FLN	NF Lock Nut
2	4	14FW	Flat Washer
3	8	680-816	Bellville Washer 20th
4	1	14112NF	BP NF Hex Bolt
5	1	100572	SS Slider Assembly
6	1	118648	Hopper Weldment Spring Mount
7	1	508524	Seed Insert
8	2	SH-9	Tarp Strap
9	2	UH-11	Fiber Washer



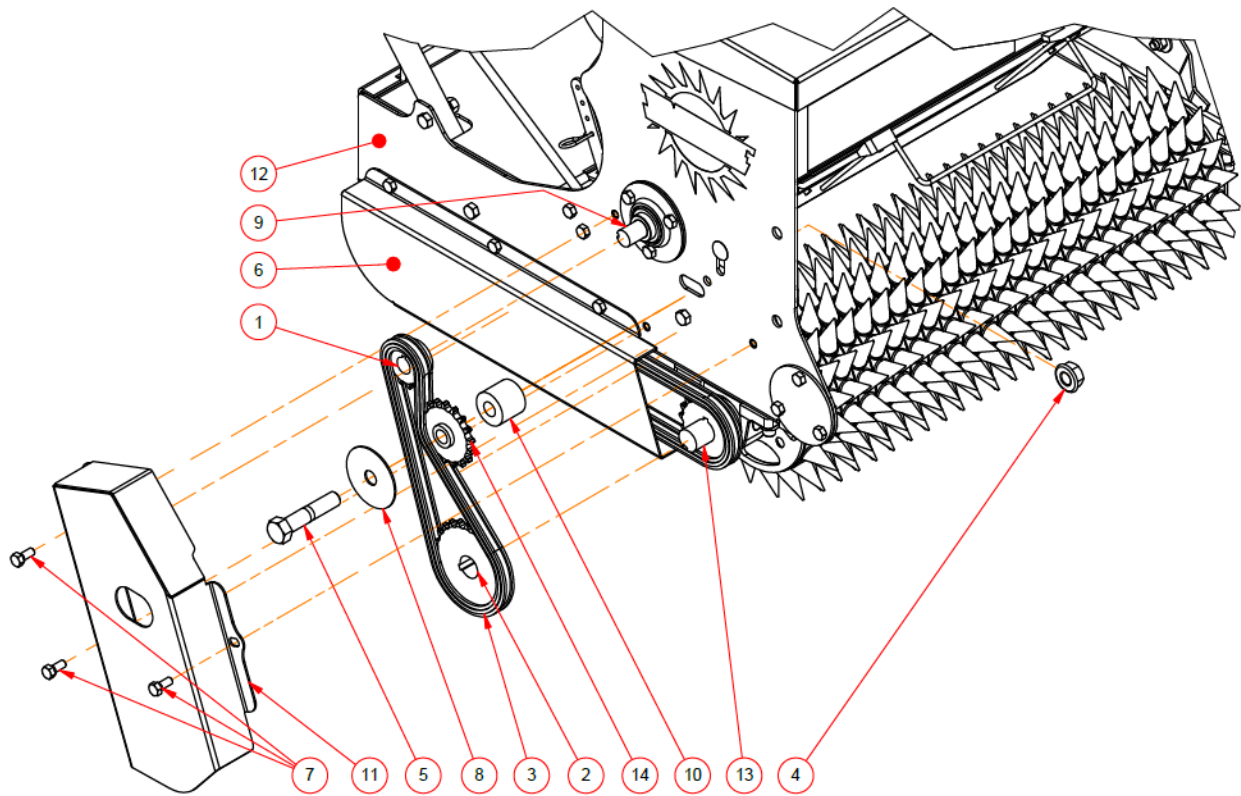
# LID & LATCH ASSEMBLY PARTS

Parts List			
ITEM	QTY	PART NUMBER	DESCRIPTION
1	1	134-022	Knob
2	1	516F	Flat Washer
3	1	516FSLN	Flange Nut
4	2	516LO	BP Lock Washer
5	1	5099	Seed Rate Dial
6	1	5136	Seed Slide Lever
7	1	118648	Hopper Weldment Spring Mount
8	1	516114	Hex Bolt
9	1	RD119	Seed Rate Dial Decal



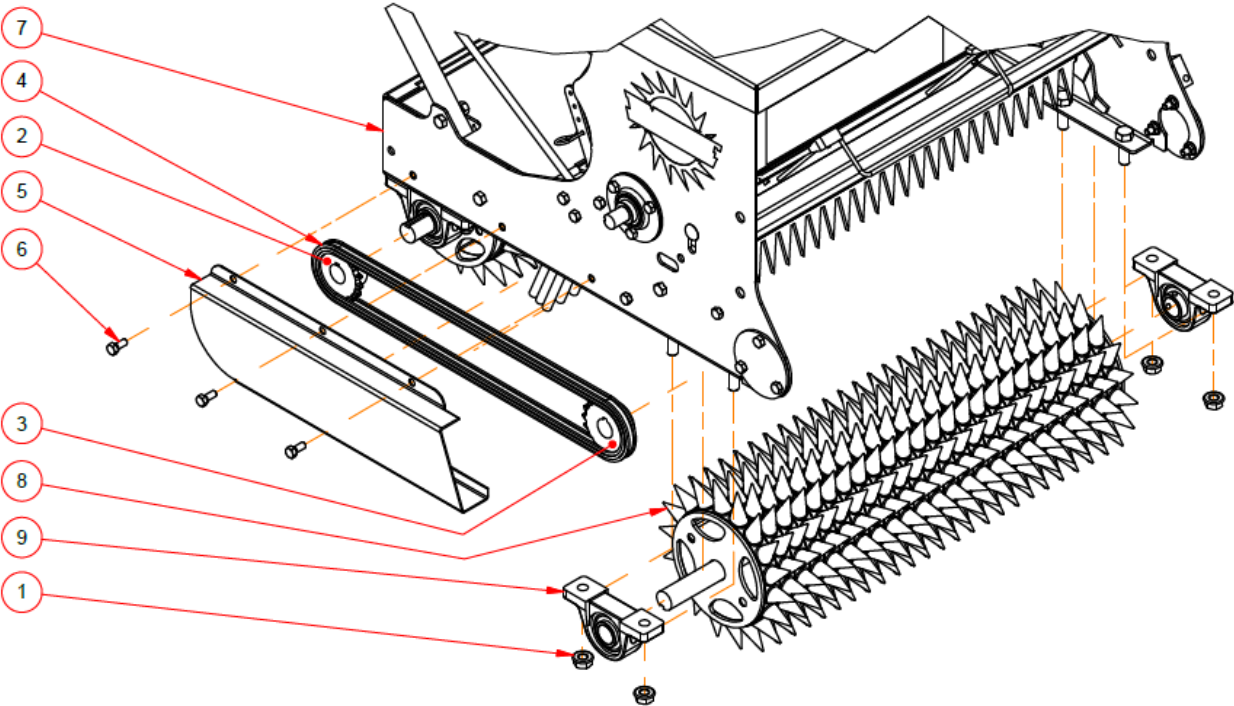
# AGITATOR TO FRONT SPIKED ROLL DRIVE CONNECTION

Parts List			
ITEM	QTY	PART NUMBER	DESCRIPTION
1	1	40B12X3/4	Sprocket
2	1	40B24X1	Sprocket
3	1	40RC	Roller Chain
4	1	58FSLN	Flange Nut
5	1	583	Hex Bolt
6	1	5109	Chain Shield
7	3	51634	Hex Bolt
8	1	100566	Tightener Cap
9	1	102510	Agitater
10	1	108092	Idler Bushing
11	1	108093	Shield
12	1	118648	Hopper Weldment Spring Mount
13	1	501424	Spike Drive Roll
14	1	20401708	Idler Sprocket



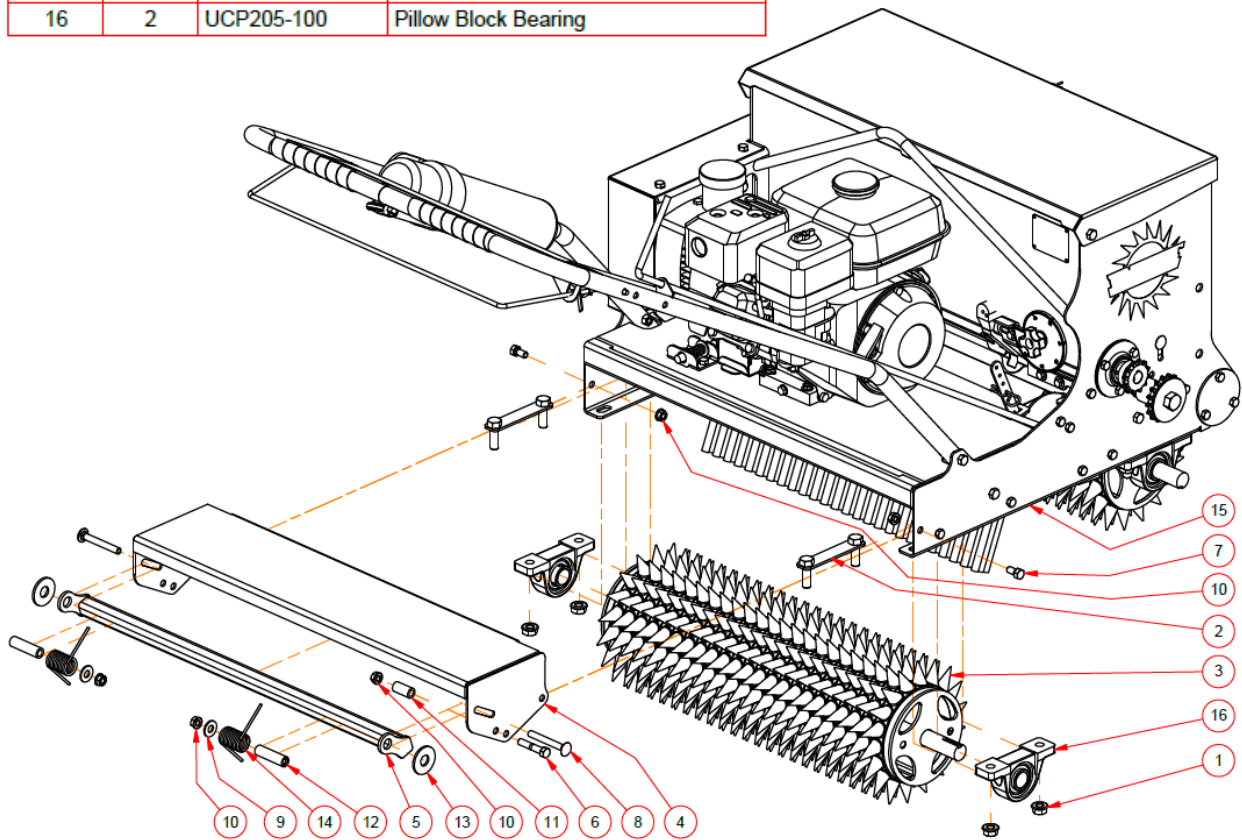
# SPIKED ROLL TO REAR SPIKED ROLL DRIVE CONNECTION

Parts List			
ITEM	QTY	PART NUMBER	DESCRIPTION
1	4	12FSLN	Flange Nut
2	1	40B17X1	Sprocket
3	1	40B18X1	Sprocket
4	1	40RC	Roller Chain
5	1	5109	Chain Shield
6	3	51634	Hex Bolt
7	1	118648	Hopper Weldment Spring Mount
8	1	501424	Spike Drive Roll
9	2	UCP205-100	Pillow Block Bearing



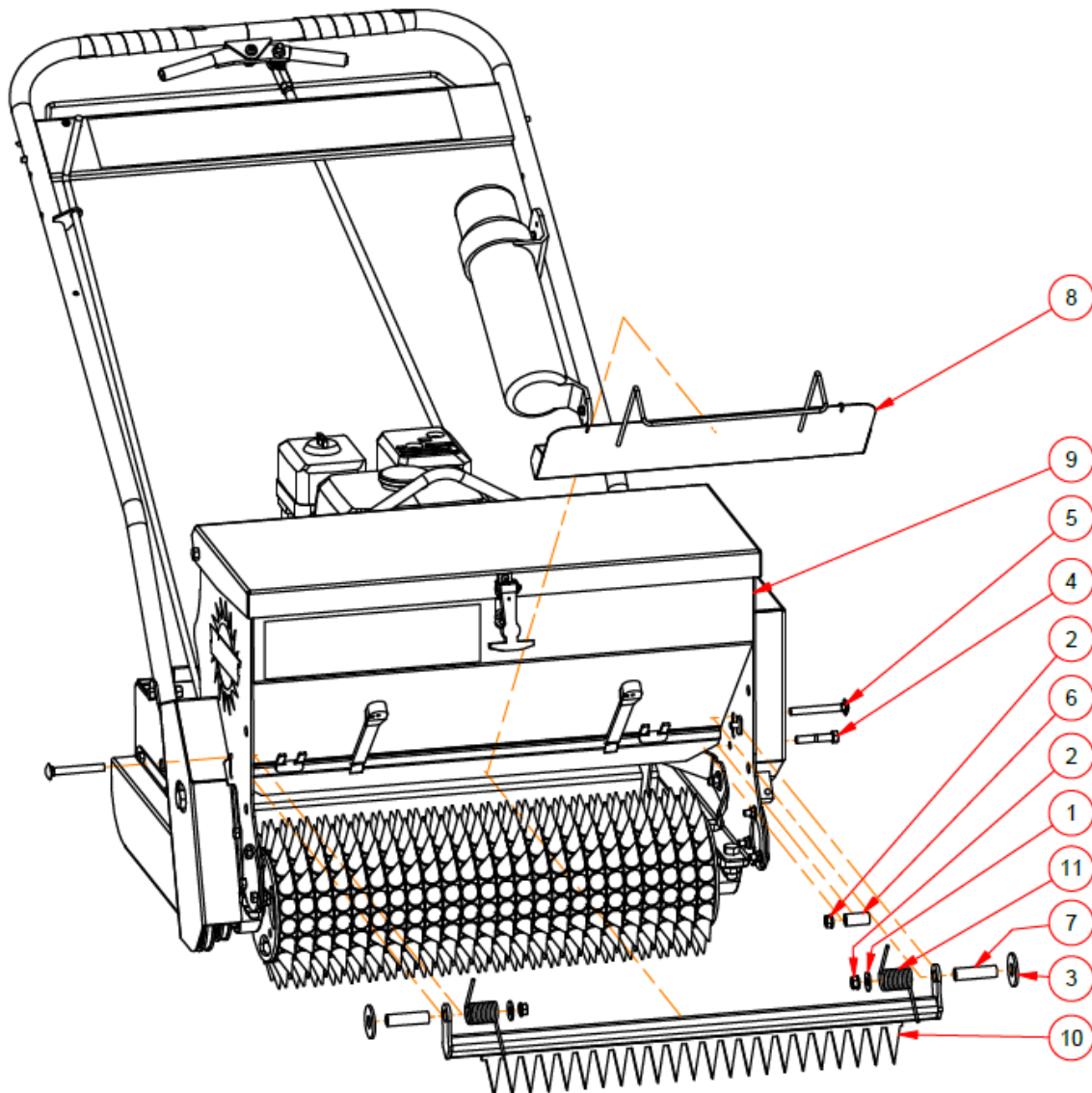
# REAR SPIKED ROLL & SCRAPER ASSEMBLY

Parts List			
ITEM	QTY	PART NUMBER	DESCRIPTION
1	4	12FSLN	Flange Nut
2	2	5130	Brg Bolt Plate
3	1	103059	Rear Spike Drive Roll
4	1	103073	Rear Spike Bracket Weldment
5	1	103074	Rear Peg Scraper
6	1	382	Hex Bolt
7	2	3834	Hex Bolt
8	2	383C	Carriage Bolt
9	2	38F	Flat Washer
10	5	38FSLN	Flange Nut
11	1	5125	Stop Bushing
12	2	5132	Peg Scraper Swing Bushing
13	2	58F	Flat Washer
14	2	TT343-02-LH	Torsion Spring
15	1	118648	Hopper Weldment Spring Mount
16	2	UCP205-100	Pillow Block Bearing



# CONE SCRAPER & CALIBRATION TRAY ASSEMBLY

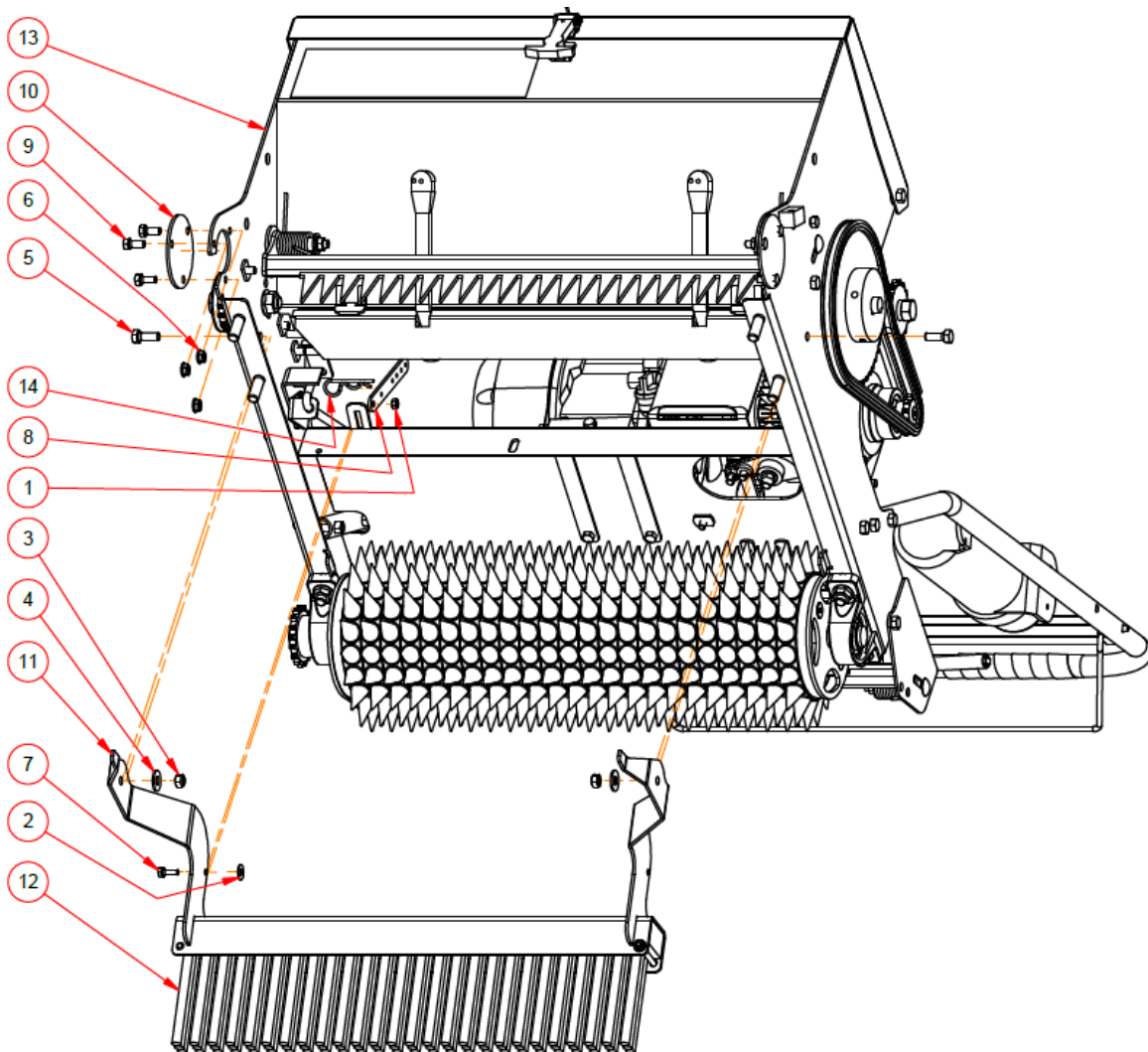
Parts List			
ITEM	QTY	PART NUMBER	DESCRIPTION
1	2	38F	Flat Washer
2	3	38FSLN	Flange Nut
3	2	58F	Flat Washer
4	1	382	Hex Bolt
5	2	383C	Carriage Bolt
6	1	5125	Stop Bushing
7	2	5132	Peg Scraper Swing Bushing
8	1	100564	Cal Tray
9	1	118648	Hopper Weldment Spring Mount
10	1	501524	Front Peg Scraper
11	2	TT343-02-LH	Torsion Spring



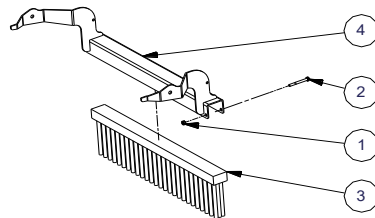


# BRUSH ASSEMBLY

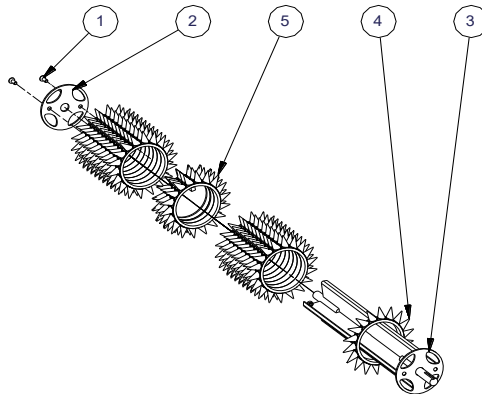
Parts List			
ITEM	QTY	PART NUMBER	DESCRIPTION
1	1	14CLN	NC Lock Nut
2	1	14FW	Flat Washer
3	2	38CLN	NC Lock Nut
4	2	38F	Flat Washer
5	2	381	Hex Bolt
6	6	516FSLN	Flange Nut
7	1	1434	Hex Bolt
8	1	5131	Broom Depth gauge
9	6	51634	Hex Bolt
10	2	100584	Brg Hole Cover
11	1	102503	Brush Mount Weldment
12	1	102505	Main Frame Brush
13	1	118648	Hopper Weldment Spring Mount
14	1	383503	COTTERS, HAIRPIN



# PARTS – DRIVE ROLL & BROOM



Parts List			
ITEM	QTY	PART NUMBER	DESCRIPTION
1	1	14 FSLN	Hex Nut
2	1	14212	Bolt
3	1	2010	Main Frame Brush
4	1	503924	Aera Seeder Broom Mount



Parts List			
ITEM	QTY	PART NUMBER	DESCRIPTION
1	2	381FH	Flat Head Bolt
2	1	5049	Spike Washer
3	1	505124	Drive Roll Light
4	20	5066	Over Seeder Spike machined slanted
5	4	5067	Over Seeder Drive Spike Slanted



# WARRANTY INFORMATION

All new REIST machinery is warranted to be free from defects in material or workmanship, which may cause failure under normal usage and service when used for the purpose intended for a period of 12 months. This warranty applies only to a new REIST product, there being no warranty of any nature in respect to new products that have been modified or altered, repaired, neglected, or used in any way, which, in the opinion of REIST adversely affects its performance.

In the event of failure of a part or parts, and upon inspection, REIST is satisfied that failure is due to defective material or workmanship within 12 calendar months from the date of delivery to an end user, such defective part or parts will be repaired or replaced by REIST Industries Inc. It is the responsibility of the buyer, at his expense, to transport the machine or equipment to the manufacturer service shop or to an authorized service depot or, alternatively, to reimburse REIST for any travel or transportation expense involved in fulfilling this warranty.

When requested by REIST, part or parts shall be returned for inspection, transportation prepaid, to a place designated by REIST. IN NO EVENT, SHALL THE BUYER BE ENTITLED TO RECOVER FOR INCIDENTAL OR CONSEQUENTIAL DAMAGES, INCLUDING, BUT NOT LIMITED TO, LOSS OF PRODUCT, INCONVENIENCE, RENTAL OR REPLACEMENT EQUIPMENT, LOSS OF PROFIT, OR OTHER COMMERCIAL LOSS.

This warranty becomes void and null if the equipment is modified, breaks down as the result of an accident, is not operated according to manufacturer's recommendations, damaged by negligence or if maintenance has not been carried out as specified.

THIS WARRANTY IS NOT TRANSFERABLE

### ***Proof of Purchase – Retain for your records***

Date of Purchase (yyyy/mm/dd)		Model	Serial #	
Dealer Purchased From		City	State or Province	Country
First Name		Last Name	Phone Number (include area code)	
Address			State or Province	Country
City	Postal Code	<b>Return to: REIST Industries Inc.</b> <b>100 Union St., Elmira, Ontario, Canada N3B 2Z2 (519) 669-1501</b>		

Remove bottom section and return to REIST Industries within 30 days of purchase



### ***Proof of Purchase***

Date of Purchase (yyyy/mm/dd)		Model	Serial #	
Dealer Purchased From		City	State or Province	Country
First Name		Last Name	Phone Number (include area code)	
Address			State or Province	Country
City	Postal Code	<b>Return to: REIST Industries Inc.</b> <b>100 Union St., Elmira, Ontario, Canada N3B 2Z2 (519) 669-1501</b>		

REIST Industries Inc.  
100 Union Street  
Elmira, Ontario, Canada  
N3B 2Z2

